

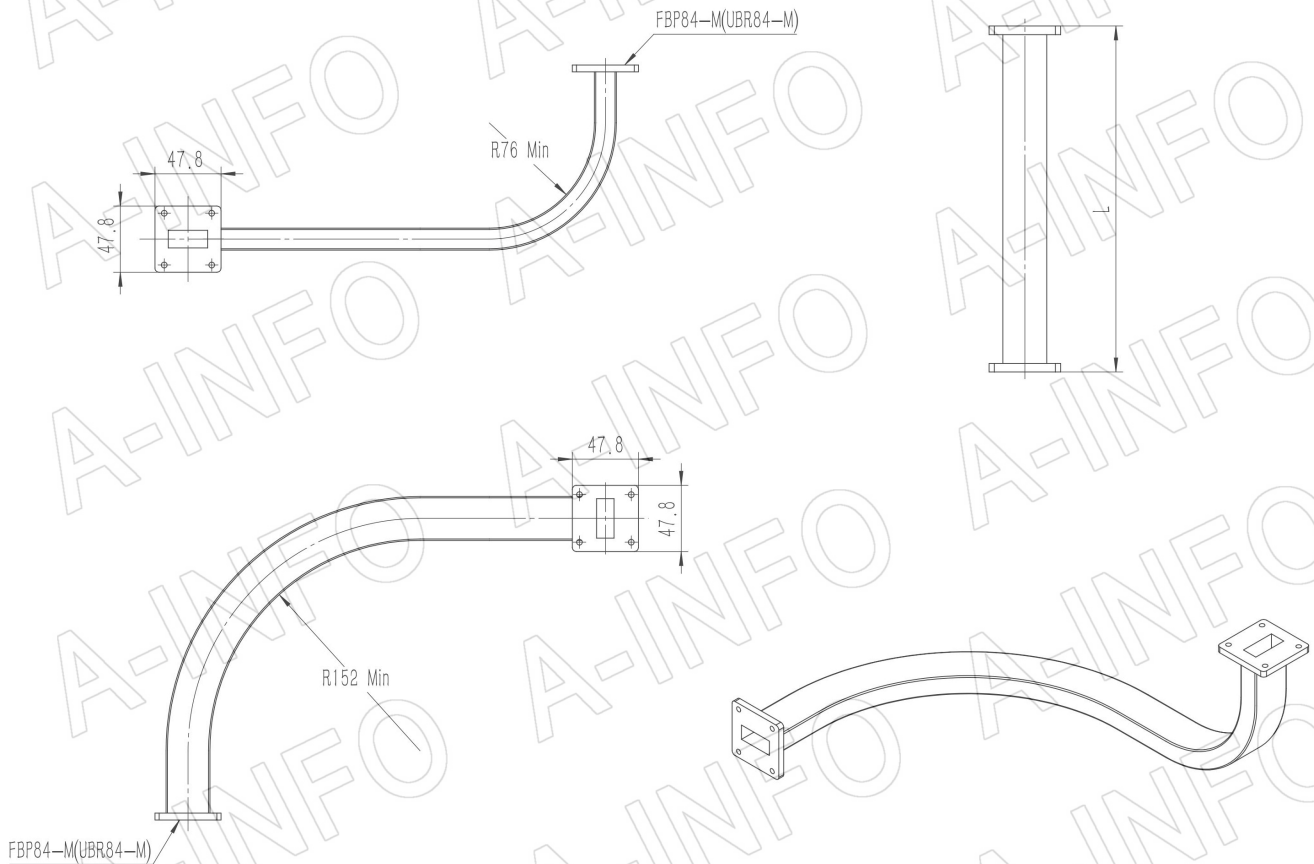
For reference only. See data sheet for the detailed specifications.

### Technical Specification



EIA WR	WR112
Frequency Range(GHz)	7.05 – 10.0
Attenuation(dB/PC)	0.2 Max.
VSWR	1.15:1 Max.
Average Power(KW CW)	4
Max. Air Pressure(Mpa)	0.2
Min. E-Bend Radius(mm)	76
Min. H-Bend Radius(mm)	152
Flange	FBP84-M(UBR84-M)
Jacket	Rubber
Operating Temp.(°C)	-55 ~ +85
Material	Cu
Length(mm)	500
Net Weight(Kg)	0.46 Around

### Outline Drawing (Size: mm)



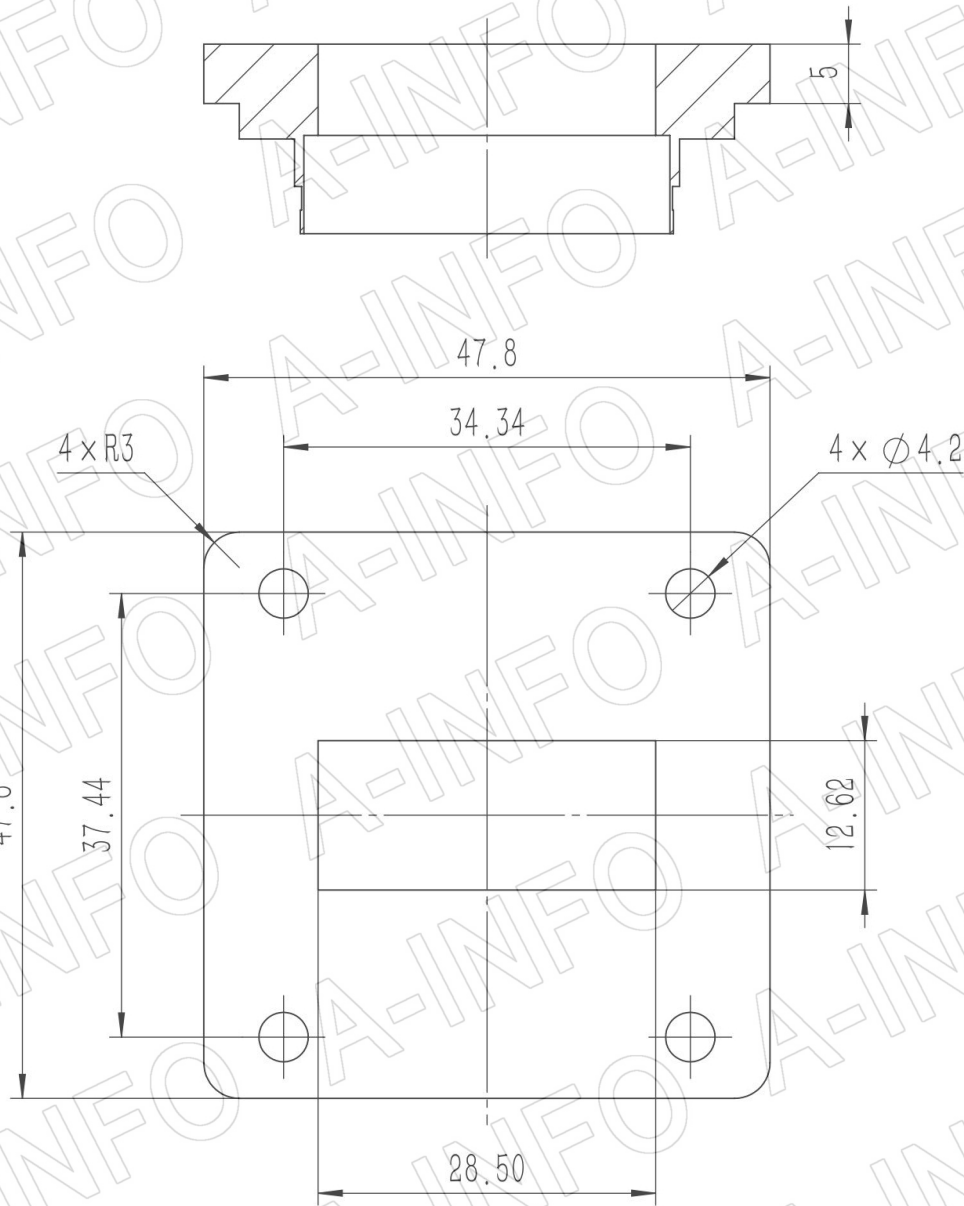
### AINFO Inc.

China(Beijing): Tel: (+86) 10-6266-7326,  
China(Chengdu): Tel: (+86) 28-8519-2786,  
USA : Tel: (+1) 949-639-9688,

(+86) 10-6266-7327 Fax: (+86) 10-6266-7379  
(+86) 28-8519-3044 Fax: (+86) 28-8519-3068  
(+1) 949-639-9608 Fax: (+1) 949-639-9670

Website: [www.ainfoinc.com](http://www.ainfoinc.com)  
Email: [sales@ainfoinc.com](mailto:sales@ainfoinc.com)

## Flange Drawing (Size: mm)



FBP84-M

### AINFO Inc.

China(Beijing): Tel: (+86) 10-6266-7326,  
China(Chengdu): Tel: (+86) 28-8519-2786,  
USA : Tel: (+1) 949-639-9688,

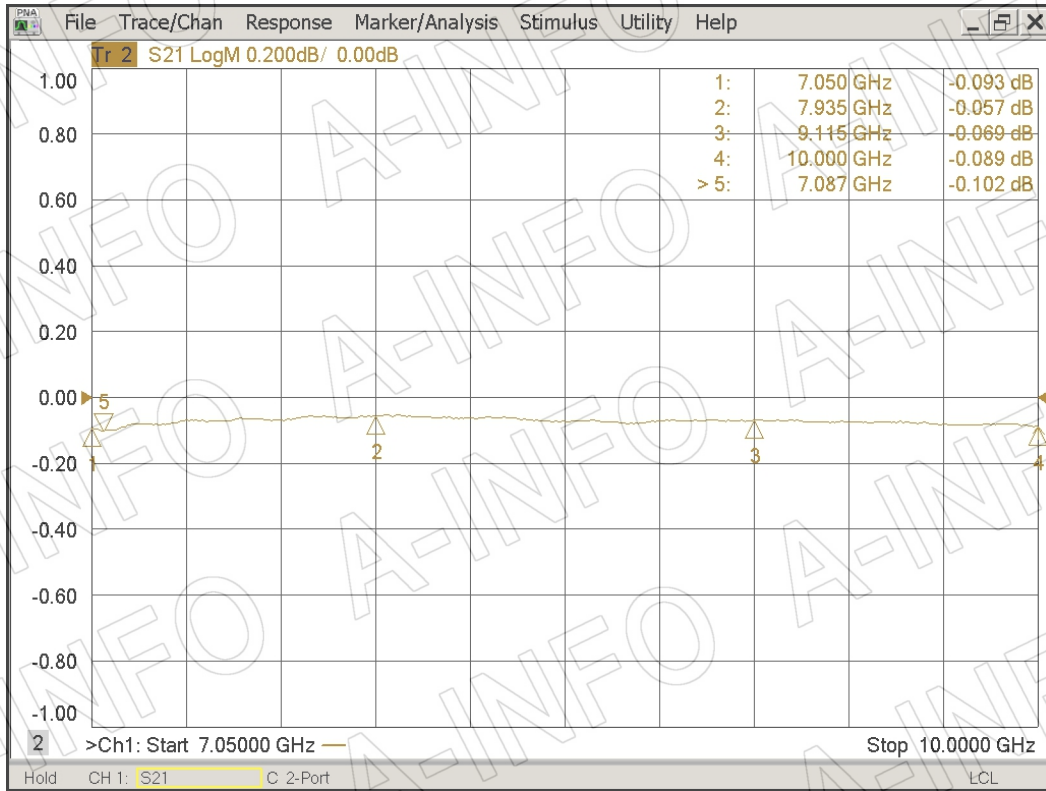
Page 2 of 3

(+86) 10-6266-7327 Fax: (+86) 10-6266-7379  
(+86) 28-8519-3044 Fax: (+86) 28-8519-3068  
(+1) 949-639-9608 Fax: (+1) 949-639-9670

Website: [www.ainfoinc.com](http://www.ainfoinc.com)  
Email: [sales@ainfoinc.com](mailto:sales@ainfoinc.com)

## Test Results

Attenuation (I.L.: 0.1020dB/PC Max.)



## VSWR

